

AIRBORNE DIGITAL VIDEO RECORDER



Model ADVCR-101 shown at 60% actual size



Tape shown at 90% actual size

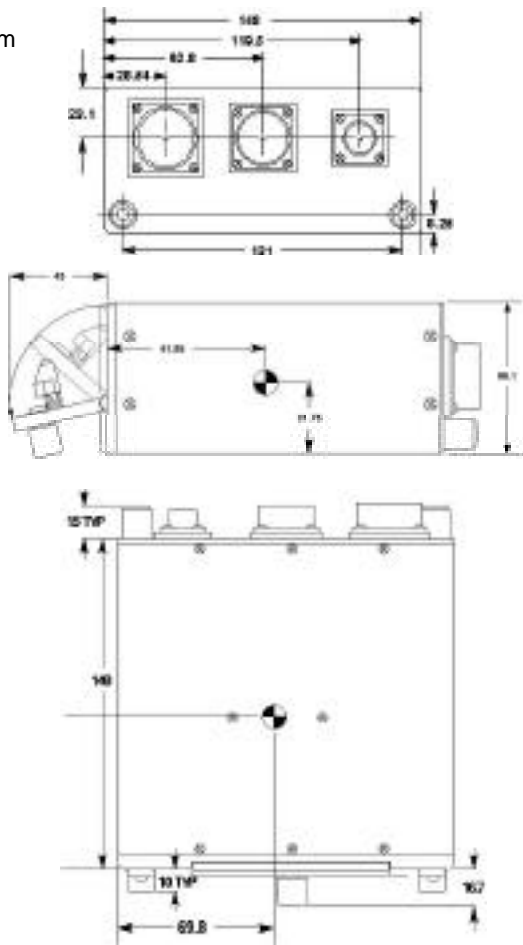
- EXTREMELY SMALL TAPE CASSETTES
- DIGITAL RECORDING FORMAT (DVC)
- MULTIPLE SIGNAL I/O OPTIONS
- 2 DIGITAL AUDIO CHANNELS
- SIMPLE DISCRETE CONTROL FUNCTIONS
- RS-422 SERIAL CONTROL
- IEEE-1394 SERIAL CONTROL AND SIGNAL
- NO MULTI-GENERATIONAL LOSS ON DUBS
- LIGHT WEIGHT AND SMALL VOLUME
- OPTIONAL PC CONTROL SOFTWARE AVAILABLE
- VERY HIGH SIGNAL TO NOISE RATIO
- UP TO 2 HOURS OF RECORDING TIME ON ONE TAPE
- MULTIPLE RECORDERS CAN BE CONTROLLED IN PARALLEL OR SERIALLY
- ANALOG AND DIGITAL SIGNAL INPUTS AND OUTPUTS
- * EVENT MARK FUNCTIONS
- * MULTIPLE USER CODES FOR EVENT MARKS FUNCTIONS

This new recorder uses a small tape cassette to record video and audio digital signals onto the tape. The signal inputs and outputs can either be analog or digital. The audio quality is as good as or better than an audio CD. Because the mass of the unit is low, it can withstand hi vibration and shock better than most other recorders and its size allows multiple recorders to fit into a smaller space. Custom control configurations are also available. Contact IVT for further information.

INTERMED VIDEO TECHNOLOGIES INC

• 18 COMMERCE RD. NEWTOWN, CT 06470 PH 203-270-9100 FAX 203-270-9619 •
EMAIL: SALES@INTERMEDVIDEO.COM WEB SITE: HTTP://WWW.INTERMEDVIDEO.COM

Dimensions shown in mm



Weight: <4lbs.

SPECIFICATIONS

Operating Voltage	14 to 36 VDC US Mil Std 704
Power:	Less than 10W
Video Signal Format:	NTSC or PAL
Analog Video Input:	1VP-P 75 Balanced with AGC
Signal to Noise Ration:	54db
Analog Video Inputs:	YC or Composite Balanced
Analog Video Outputs:	YC or Composite
AnalogAudio Channels:	2 (input balanced)
Audio Sampling Rate:	16bit or 12Bit
Digital Signal & Ctl. I/O:	IEEE 1394
Environmental:	Mil Std 810D
EMI	Mil Std 416/462 RE-102 CE-102

Optional hand held serial remote control with tape time and multifunctional status LCD screen.



Optional ICU-101, with discrete Record, Standby, Unthread Commands and multiple discrete Status LED's as well as signal I/O



Figure above showing tape cassette loading and double RF and environmental seal on door



Figure above showing relative size with standard pencil.

Three Control Systems:

- 1 DISCRETE COMMANDS AND STATUSES
- 2 RS-422 SERIAL DATA
- 3 IEEE-1394 DIGITAL CONTROL.

SPECIFICATIONS CAN BE TAYLORED TO FIT CUSTOMERS REQUIREMENTS--CONTACT IVT FOR COMPLETE SPECIFICATIONS

The recorders also has a unique event mark function which allows the user to record over 100 events per tape, each event can also be associated with 1 of 64 different user codes. These user codes can be recovered using the RS422 serial control system.



• 18 COMMERCE RD. NEWTOWN, CT 06470 PH 203-270-9100 FAX 203-270-9619 •
 EMAIL: SALES@INTERMEDVIDEO.COM WEB SITE: HTTP://WWW.INTERMEDVIDEO.COM